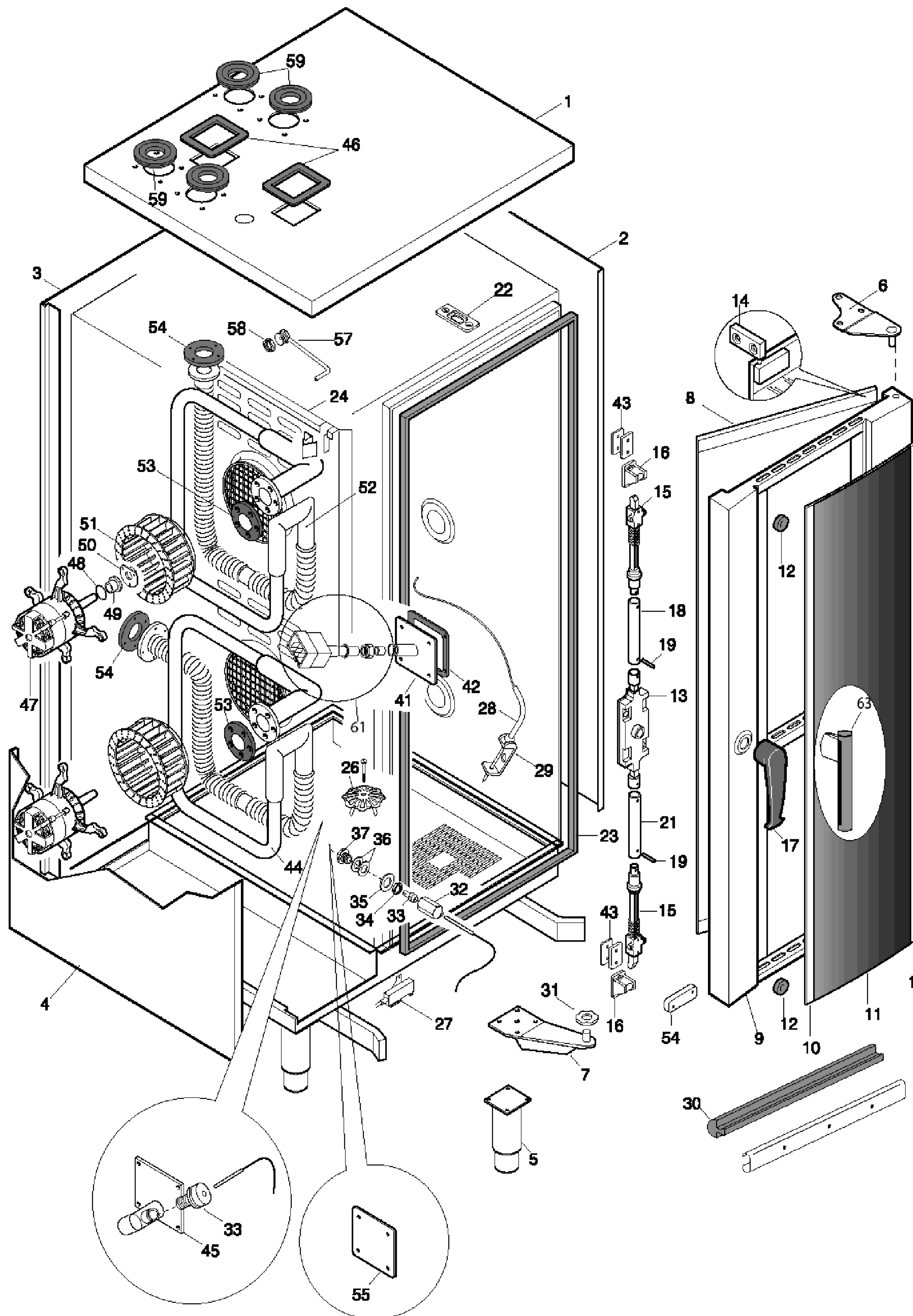
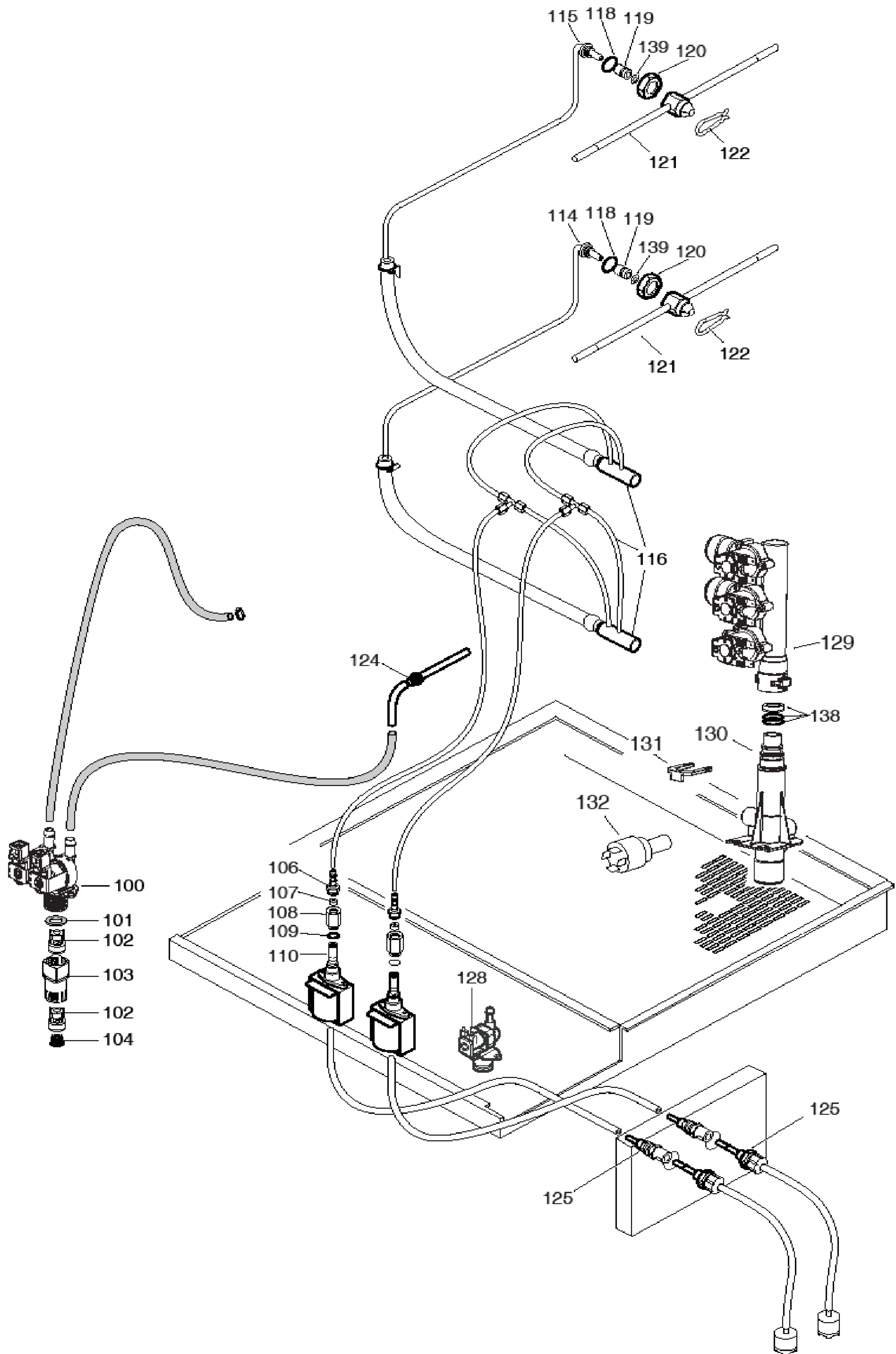


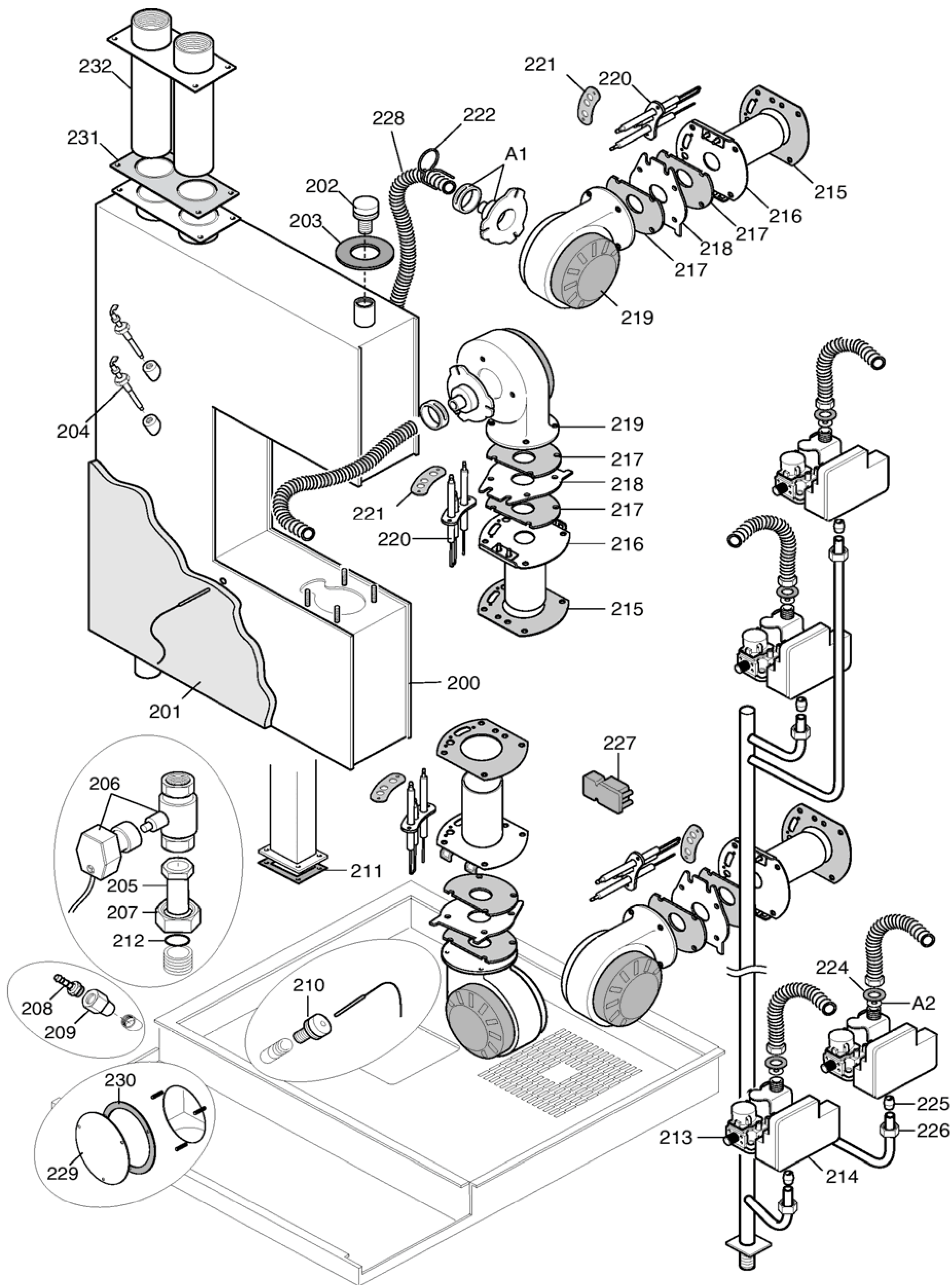
PNC	Model	Ref	Group	Level	Page	Notes
237705	FCZ202GTG	a	FCZ	Touch	2...10	230V 50Hz STD
237715	FCZ202GTD	b	FCZ	Touch	2...10	230V 50Hz LPG
238705	FCZ202GBG2	c	FCZ	Level B	2...10	230V 50Hz STD
238715	FCZ202GBD2	d	FCZ	Level B	2...10	230V 50Hz LPG
239705	FCZ202GCG2	e	FCZ	Level C	2...10	230V 50Hz STD
239715	FCZ202GCD2	f	FCZ	Level C	2...10	230V 50Hz LPG
267705	AOS202GTG1	g	AOS	Touch	2...10	230V 50Hz STD
267715	AOS202GTD1	h	AOS	Touch	2...10	230V 50Hz LPG
267755	AOS202GTP1	i	AOS	Touch	2...10	120V 60Hz USA
267785	AOS202GTW1	l	AOS	Touch	2...10	230V 50Hz UK
268705	AOS202GBG2	m	AOS	Level B	2...10	230V 50Hz STD
268715	AOS202GBD2	n	AOS	Level B	2...10	230V 50Hz LPG
268785	AOS202GBW2	o	AOS	Level B	2...10	230V 50Hz UK
269705	AOS202GCG2	p	AOS	Level C	2...10	230V 50Hz STD
269715	AOS202GCD2	q	AOS	Level C	2...10	230V 50Hz LPG
269785	AOS202GCW2	r	AOS	Level C	2...10	230V 50Hz UK

Pag	Index	Indice	Note
2	Oven cabinet and door.	Cella forno e porta	
3	Water system	Impianto idraulico	
4	Boiler	Boiler	
5	Electrical components	Componenti elettrici	
6	Accessories	Accessori	
7...10	Spare parts list	Lista ricambi	

Brand/Marchio: All
 Factory code: 9PDD







GAS	POS. A1 CELLA/CAVITY	POS. A1 BOILER	POS. A2 CELLA/CAVITY	POS. A2 BOILER	POS. 218 CELLA/CAVITY	POS. 218 BOILER
G20	OC4629 (VERDE/GREEN)	OC4629 (VERDE/GREEN)	OC1163 (ø 7,8)	OC2444 (ø 7,5)	OC4125 (ø 21)	OC4125 (ø 21)
G25	OC4629 (VERDE/GREEN)	OC4629 (VERDE/GREEN)	0538822800 (ø 9,25)	0538822700 (ø 9)	OC4125 (ø 21)	OC4125 (ø 21)
G30	OC4629 (VERDE/GREEN)	OC4629 (VERDE/GREEN)	OC2446 (ø 5,8)	OC2445 (ø 6)	OC4110 (ø 18)	OC4125 (ø 21)
LPG	OC4629 (VERDE/GREEN)	OC4629 (VERDE/GREEN)	OC4386 (ø 6,25)	OC4386 (ø 6,25)	OC4110 (ø 18)	OC4125 (ø 21)

